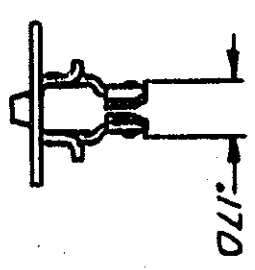
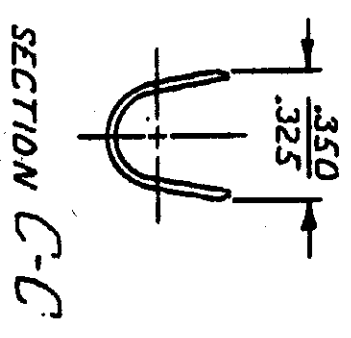
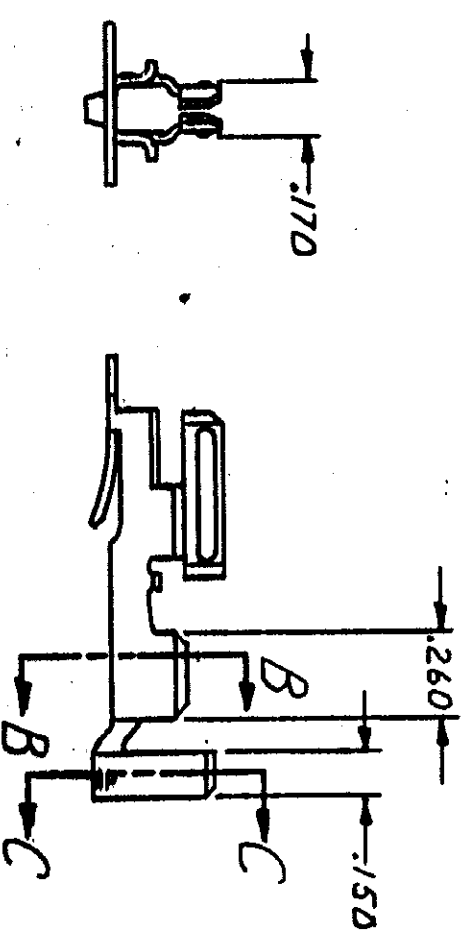
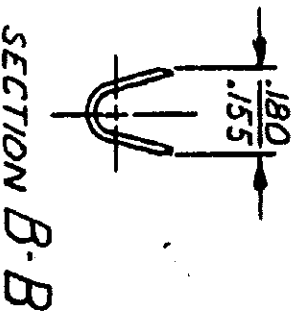
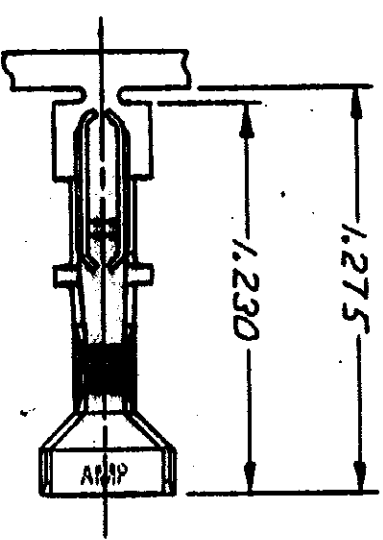


© COPYRIGHT 1977-74 BY AMP INCORPORATED, HARRISBURG, PA.
 ALL INTERNATIONAL RIGHTS RESERVED. AMP INCORPORATED PRODUCTS
 COVERED BY U. S. AND FOREIGN PATENTS AND/OR PATENTS PENDING.

REVISIONS					
P	ZONE	LTR	DESCRIPTION	DATE	APPROVED
✓	F		SUPERSEDED & REDRAWN M-4479	5-2-77	MSE/R.H.
✓	G		REV PER. ECN CM 121	3/1/85	B.D./RS
✓	G1		RESTORED	1/2/85	A.C./B
✓	H		RESTORED	8/2/85	B.D./RS
✓	J		REV. PER. ECN CM 121	7/2/85	B.D./RS



UNLESS OTHERWISE SPECIFIED DIMENSIONS ARE IN INCHES. TOLERANCES ON: DECIMALS ±.015 ANGLES		CONTRACT NO DR 972 Feb 5-12-77 CHK D.S. Schilde 10/1/77 APPO [Signature] 10/1/77 DESIGN APPO OTHER APPO		NAME TERMINAL, HIGH CURRENT, HERMAPHRODITIC	
MATERIAL PHOS BRZ		INSULATION DIA 270 MAX		WIRE RANGE 16-12 AWG.	
FINISH TIN		AMP INCORPORATED Harrisburg, Pa.		PART NO 350651-1	
		SIZE B		CODE IDENT NO 00779	
		DRAWING NO 350651		SHEET 1 OF 1	